



# DATA SHEET

## DC Leakage Current Sensor

**PN: CHD\_LH15D5**

**IPN=05~100mA**

### Feature

- DC Leakage Current Sensor develops on base of magnetic modulation closed loop principle
- Apply unique patented technology for measure tiny current (mA level)
- Supply voltage: DC  $\pm 12\sim 15$  V

### Advantages

- High accuracy
- Easy installation
- Wide current measuring range
- Optimized response time
- Low power consumption
- High immunity to external interference
- Very good linearity
- Can be customized

### Applications

- The current detection of the lift
- DC panel detection
- The signal system
- Current differential detection
- AC variable-speed drive/ Servo drive
- UPS and Inverter applications



RoHS

### Electrical data: (Ta=25°C, Vc= ±15VDC, RL=10K Ω)

Ref Parmeter	CHD05 LH15D5	CHD10 LH15D5	CHD20 LH15D5	CHD40 LH15D5	CHD50 LH15D5	CHD100 LH15D5
Rated input Ipn(mA) DC	05	10	20	40	50	100
Measuring range Ip(A)	0~±10	0~±20	0~±40	0~±80	0~±100	0~±200
Output voltage Vo(V)	±5.0*(IP/IPN)					
Supply voltage VC(V)	(±12~±15) ±5%					
Accuracy XG(%)	@IPN,T=25°C		≤ ±1			
Offset voltage VOE(mV)	@IP=0,T=25°C		<±30			
Temperature variation of VOE VOT(mV/°C)	@IP=0,-20 ~ +80°C		≤ ±1.5			
Hysteresis offset voltage VOH(mV)	@IP=0,after 1*IPN		≤ ±30			
Linearity error εr(%FS)	≤1.0					
Response time tra(ms)	@90% of IPN		≤20			
Power consumption IC(mA)	15+Is					
Bandwidth BW(KHZ)	@-3dB,IPN		DC			
Insulation voltage Vd(KV)	@50/60Hz, 1min,AC		3.0			



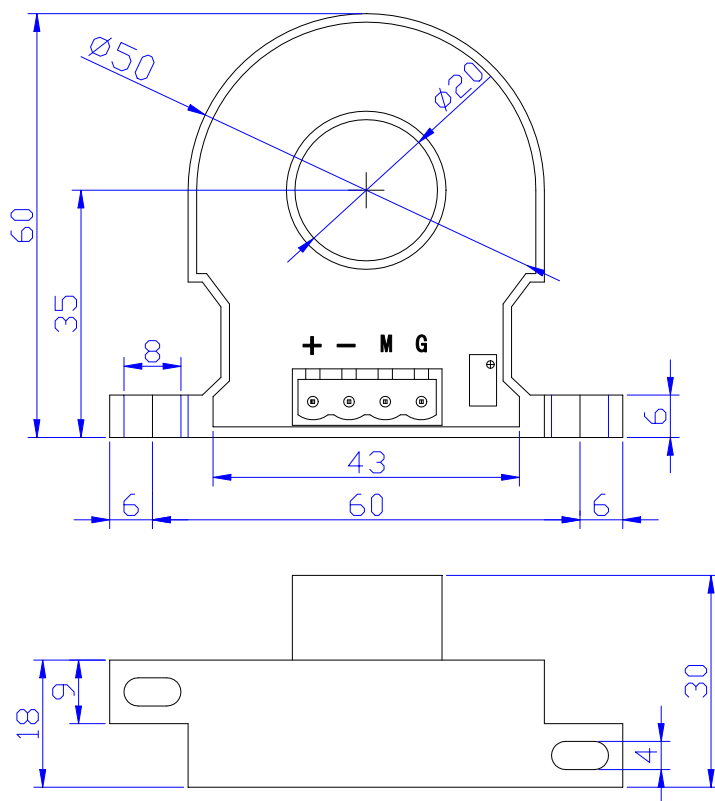
Cheemi Technology Co., Ltd

Tel: 025-85996365 E-mail: [info@cheemi-tech.com](mailto:info@cheemi-tech.com) [www.cheemi-tech.com](http://www.cheemi-tech.com)  
 Add: N22, Xianlongwan, Xianyin South Road, Qixia District, Nanjing - China.

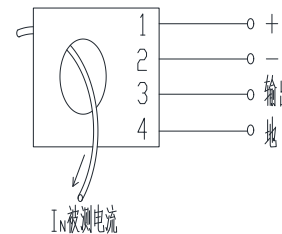
## General data:

Parameter	Value
Operating temperature TA(°C)	-20 ~ +80
Storage temperature TS(°C)	-40~ +85
Mass M(g)	75
Plastic material	PBT G30/G15, UL94- V0;
Standards	IEC60950-1:2001
	EN50178:1998
	SJ20790-2000

## Dimensions(mm):



### Connection



端子说明		
+	1	+15V
-	2	-15V
M	3	Out
G	4	GND

### General tolerance

General tolerance: <math>\pm 0.5\text{mm}</math>

Primary through-hole :  $D20 \pm 0.15\text{mm}$

Secondary pin: 2EDG5.08-04P

## Remarks:

- When the current goes through the primary pin of a sensor, the voltage will be measured at the output end.
- Custom design is available for the different rated input current and the output voltage.
- The dynamic performance is the best when the primary hole is fully filled with.
- The primary conductor should be  $<100^{\circ}\text{C}</math>.$

**WARNING : Incorrect wiring may cause damage to the sensor.**



Cheemi Technology Co., Ltd

Tel: 025-85996365

E-mail: info@cheemi-tech.com

www.cheemi-tech.com

Add: N22, Xianlongwan, Xianyin South Road, Qixia District, Nanjing - China.